



# MEKO Group:

**Workshop at Meko Torino Technology**

**Milling of Master part**

**Milling of Aeronautic**

**Workshop at Demo Technology**

**Meko Torino Technology**

**NOVO MEKO d.o.o.**

**NOVO MEKO d.o.o.**

**Metrology area at Novo Meko d.o.o.**

**Novo Meko new installations in Vojnik 1500 m<sup>2</sup>**

**CARBON STYLE s.r.l.**

**AVIO-COMPOSITE s.r.l.**

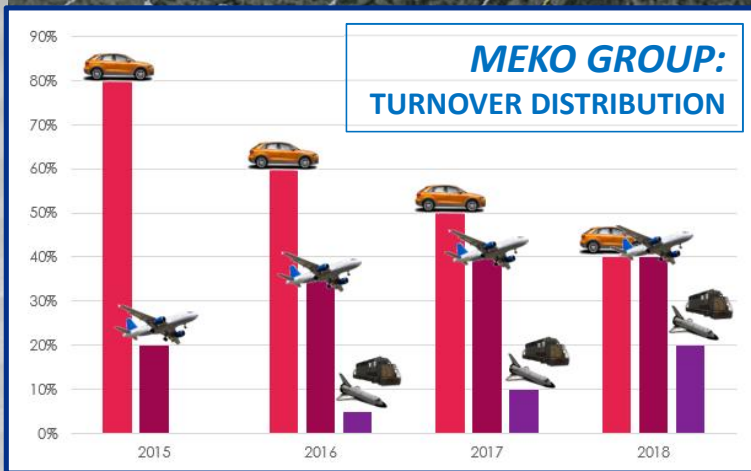
**L.M.T TECHNOLOGY s.r.l.**

**DEMO MODELTEC s.r.l.**

**DEMO MEKO TECHNOLOGY s.r.l.**

© 2016 Google  
Image Landsat / Copernicus  
US Dept of State Geographer  
© 2009 GeoBasis-DE/BKG

# MEKO Group:



**Tools & fixtures for industry:**

- Automotive
- Aeronautic
- Aerospace

	CARBON STYLE s.r.l.
	AVIO-COMPOSITE s.r.l.
	LMT TECHNOLOGY s.r.l.
	DEMO MEKO TECHNOLOGY s.r.l.
	DEMO MODELTEC s.r.l.
	NOVO MEKO d.o.o.

- 6 companies in 2 countries;
- Total of 80 employees;
- Total income of €8.5 M in 2018;
- 20% income increase predicted for 2019;

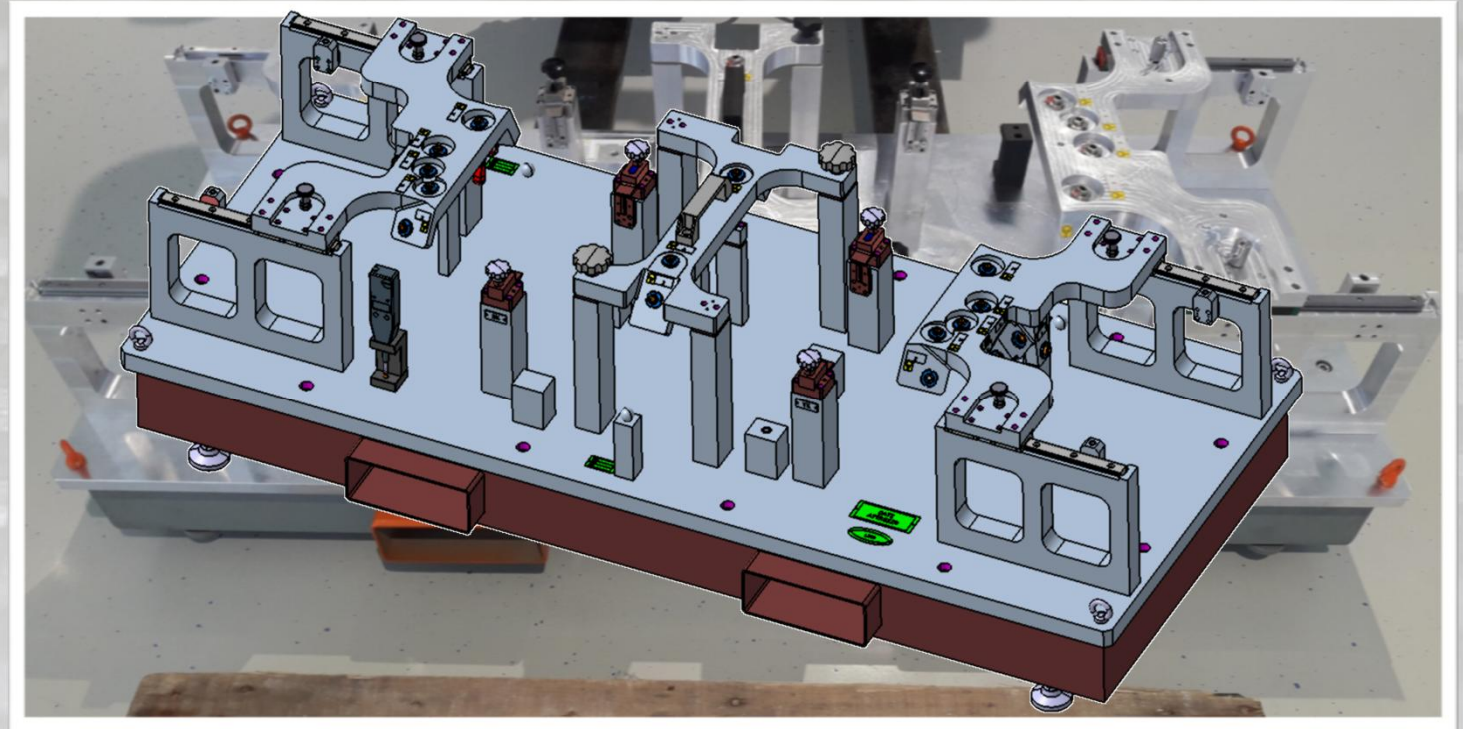
## MEKO Group in Slovenia:



## ● *Our Products:*

### CONTROL TOOLS

- Control Gauges



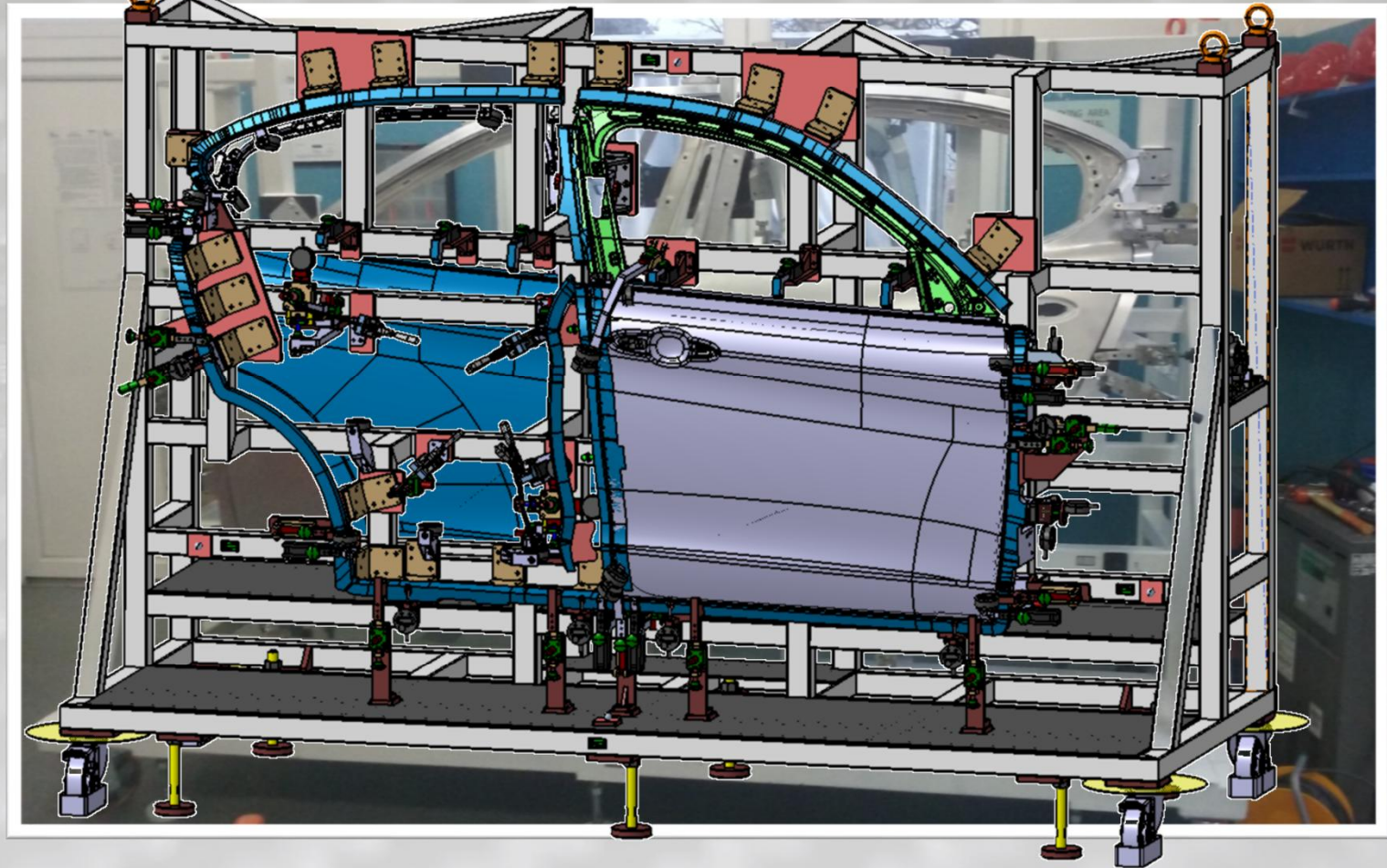
2016: PSC Components – Volvo V43x

## Our Products:

### CONTROL TOOLS

- Control Gauges

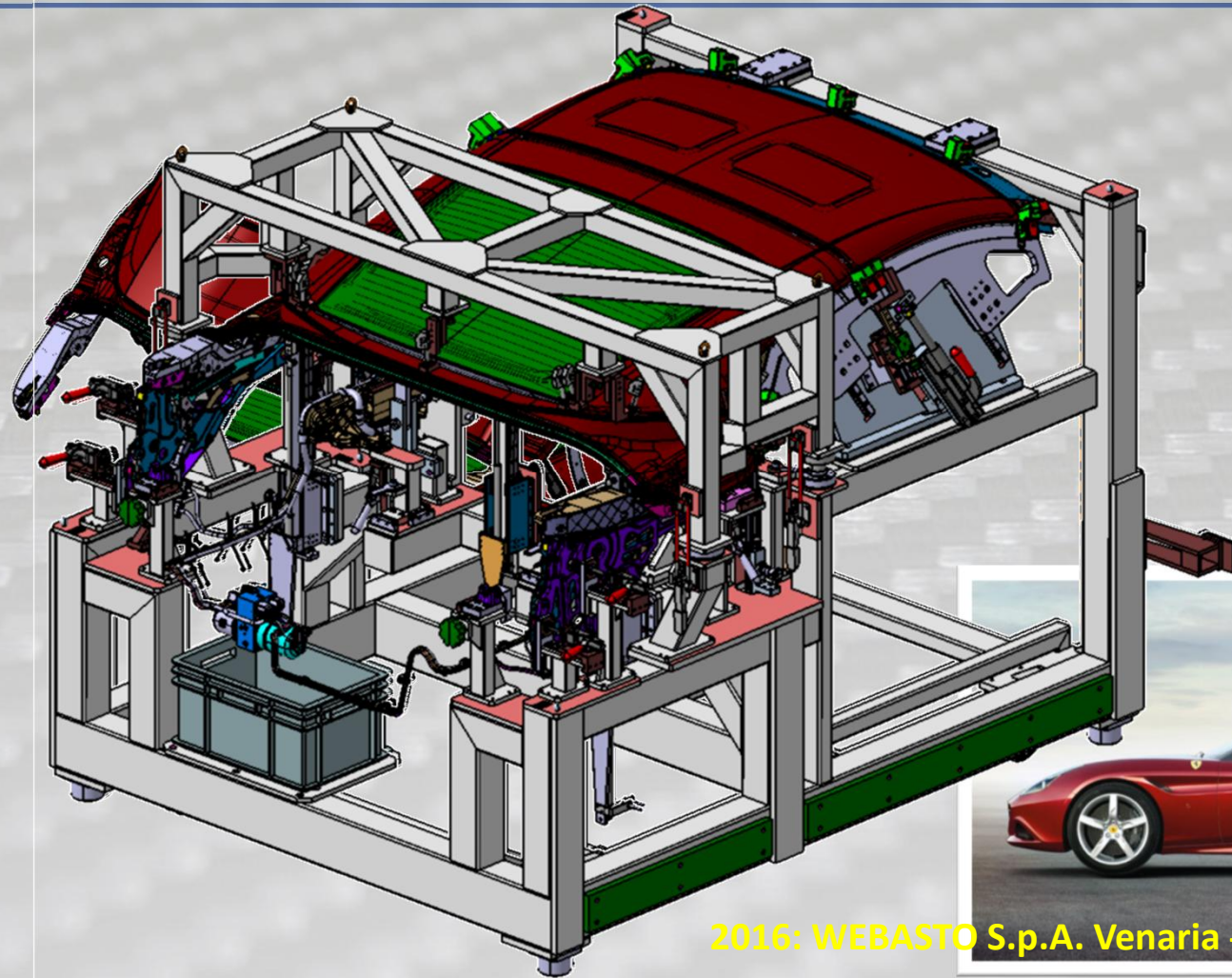
2015: FCA Cassino – Alfa Romeo Stelvio (Tipo 949)



## Our Products:

### CONTROL TOOLS

- Control Gauges
- Checking Fixtures

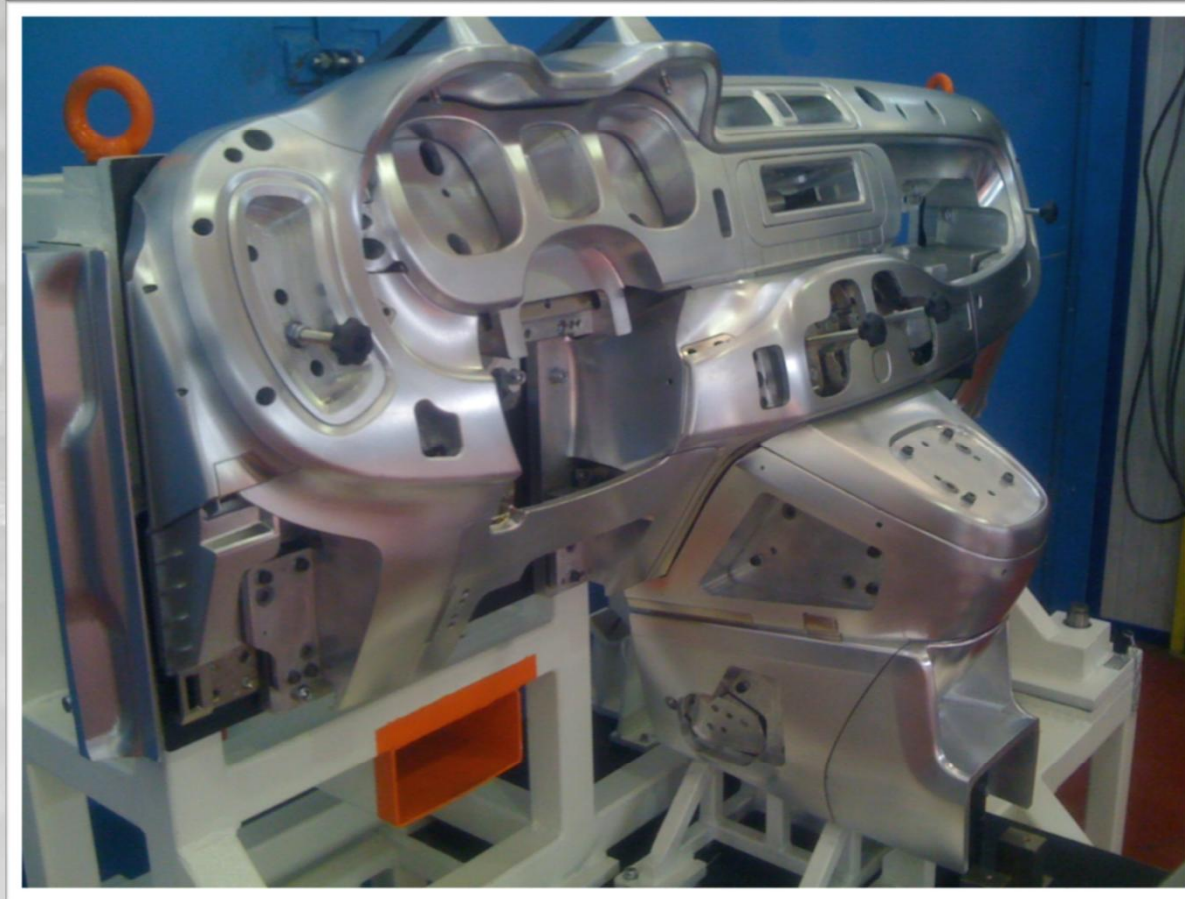


2016: WEBASTO S.p.A. Venaria - Ferrari F164 California

## • *Our Products:*

### **CONTROL TOOLS**

- Control Gauges
- Checking Fixtures
- Partial Masters



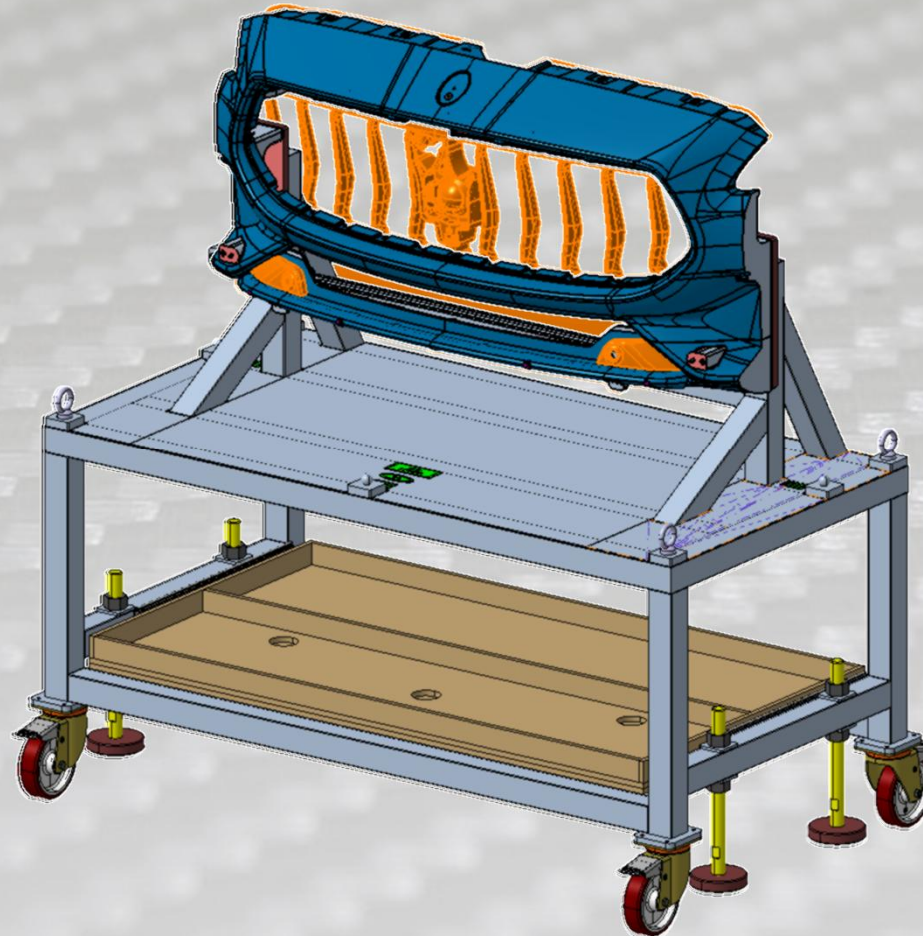
**2010: FCA Pomigliano - FIAT Panda**



## • *Our Products:*

### CONTROL TOOLS

- Control Gauges
- Checking Fixtures
- Partial Masters

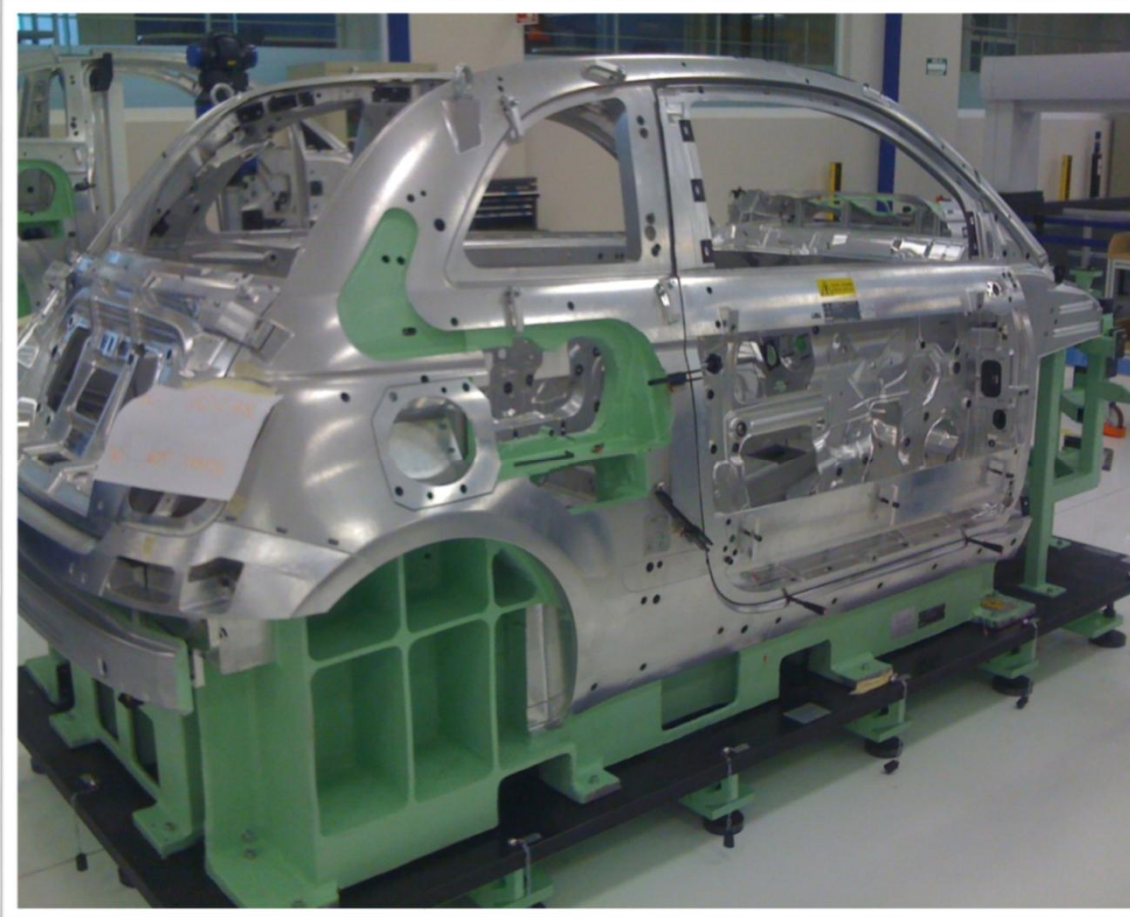


2016: FIAT Mirafiori - Maserati Quattroporte

## ● *Our Products:*

### **CONTROL TOOLS**

- Control Gauges
- Checking Fixtures
- Partial Masters
- Full Masters

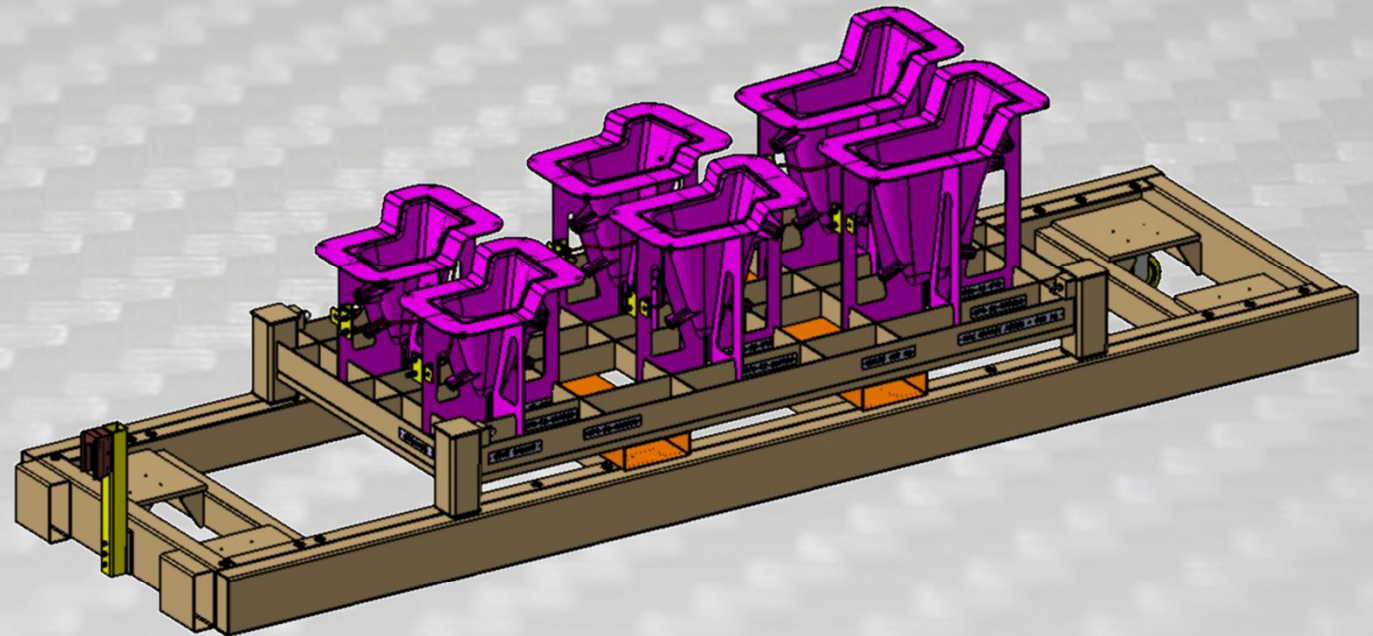


**2016: FCA Serbia (Kragujevac) – FIAT 500**

## • *Our Products:*

### AUXILIARY TOOLS

- Trolleys
- Storage elements
- Combined products

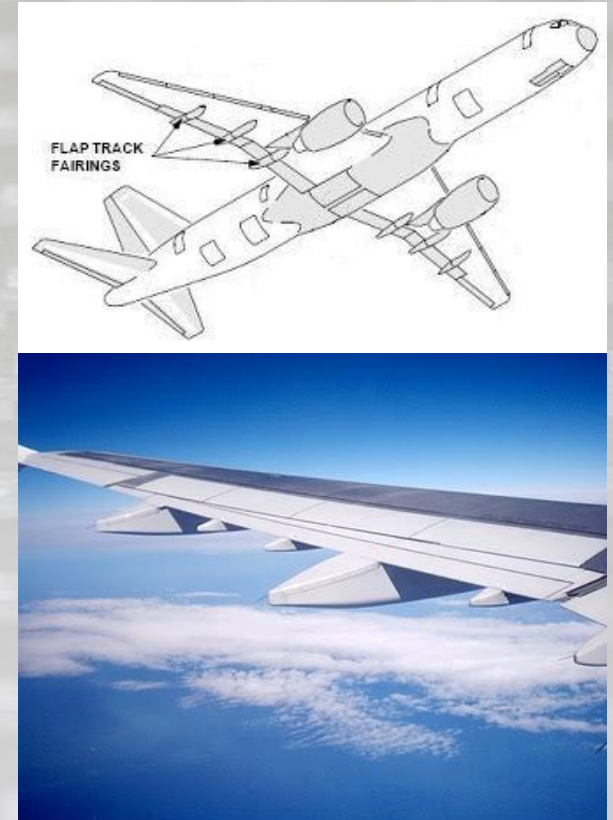
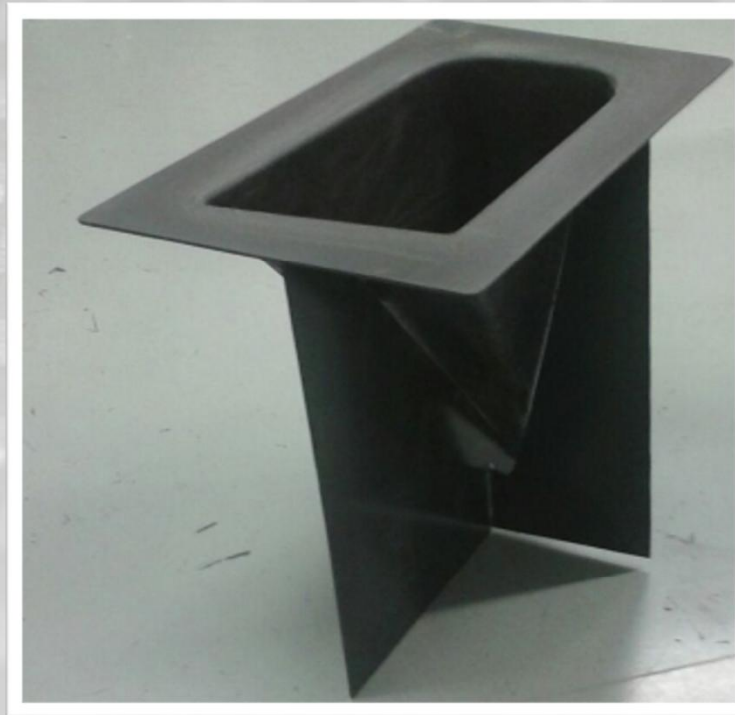
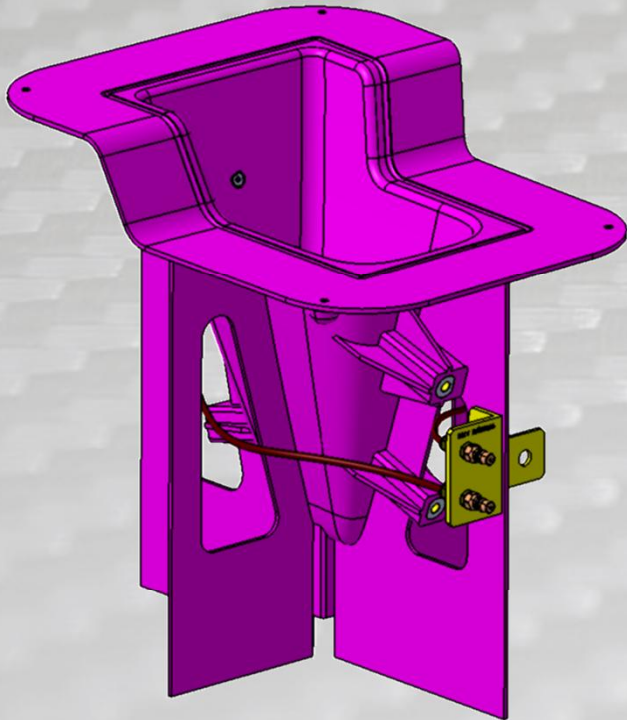


2016: SONACA Belgium - Embraer E175-E2

## Our Products:

### MANUFACTURING TOOLS

- Tools for carbon parts production



2016: SONACA Belgium - Embraer E175-E2

## ● *Our Products:*

### MANUFACTURING TOOLS

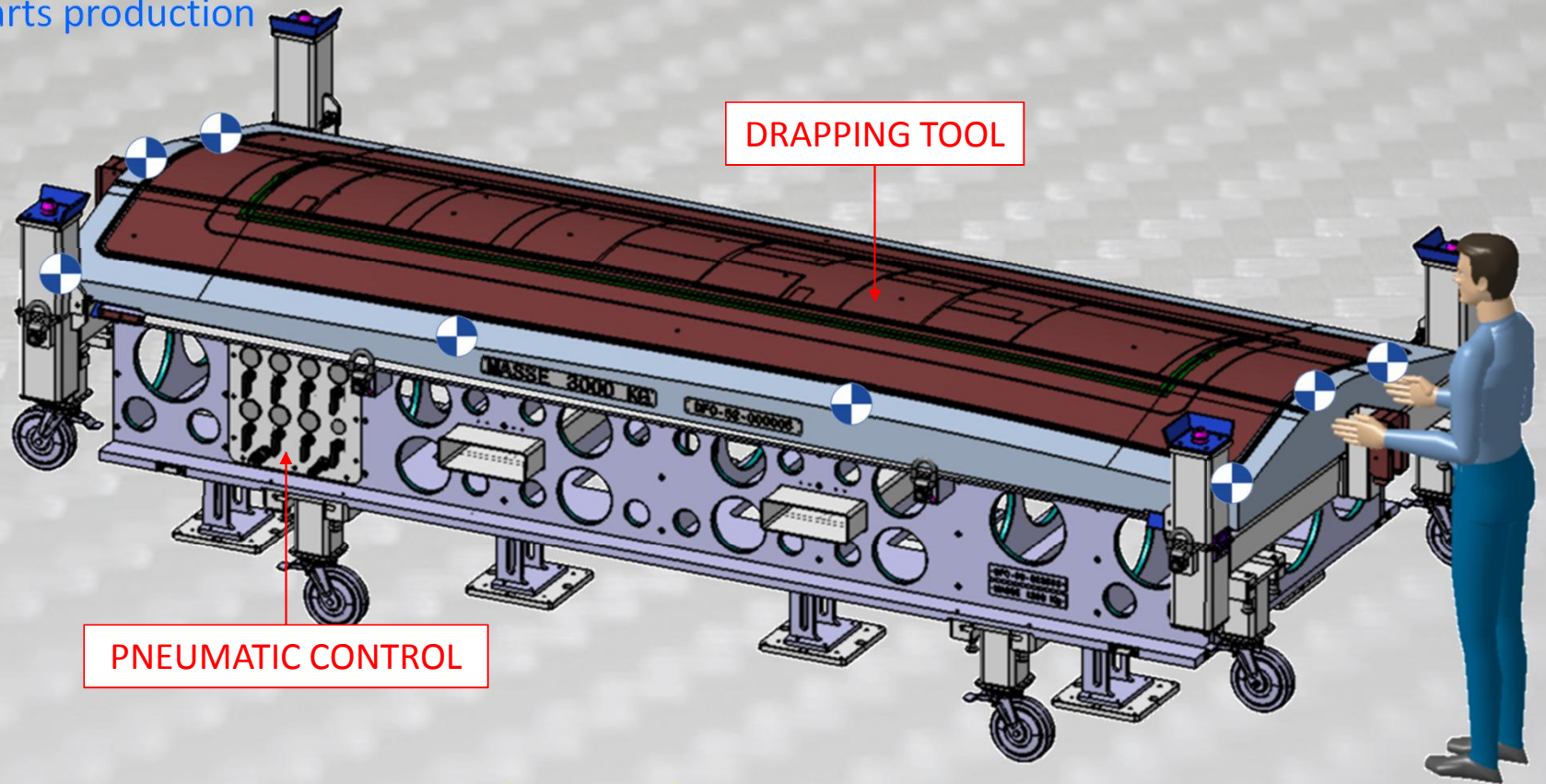
- Tools for carbon parts production





## MANUFACTURING TOOLS

- Tools for carbon parts production



2016: SONACA Belgium - Embraer E175-E2

⊕ *Our Products:*



**RIMS**

**STRETCHING TOOL**



**CARBON MOULDS**



03/07/2019



**CHECKING FIXTURES IN  
CARBON**

## Our Products



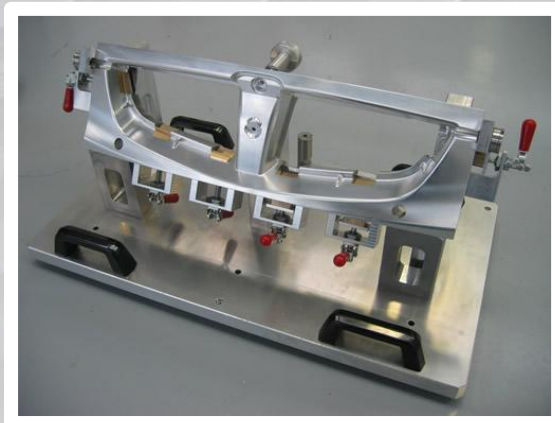
LAYUP TOOLS



ITEM IN CARBON LOOK



CARBON MOULD FOR LAMINATION



CHECKING FIXTURE



ALUMINIUM MOULD FOR LAMINATION



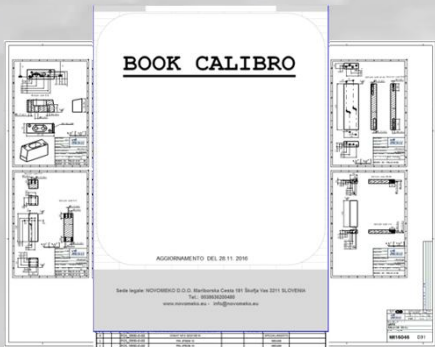
DISASSEMBLED MOULD FOR LAMINATION



# Product Development

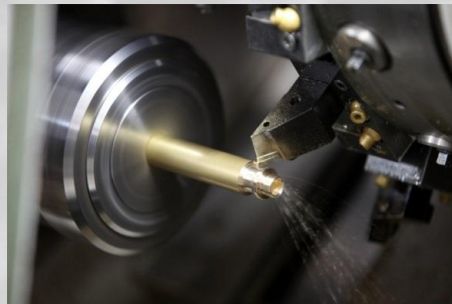
## DESIGN

- Concept
- Design
- Design review
- Tech. Documentation
- Users manual



## PRODUCTION

- Welding + heat treatment
- CNC milling (3/5 axes)
- CNC turning
- Laser cut
- Water-jet cut



## ASSEMBLY

- Metrologic control:
  - Repeatability from 0.024 to 0.064mm
  - Control tolerance:  $\pm 0.2\text{mm}$



## CERTIFICATION

- Inspection report
- Quality management systems  
**ISO 9001:2008**
- Certification for the Aerospace Industry **EN 9100**